

Case No. PAC-E-21-07
Exhibit No. 27
Witness: Richard A. Vail

BEFORE THE IDAHO PUBLIC UTILITIES COMMISSION

ROCKY MOUNTAIN POWER

Exhibit Accompanying Direct Testimony of Richard A. Vail

Wallula-McNary 230 kV Transmission Project

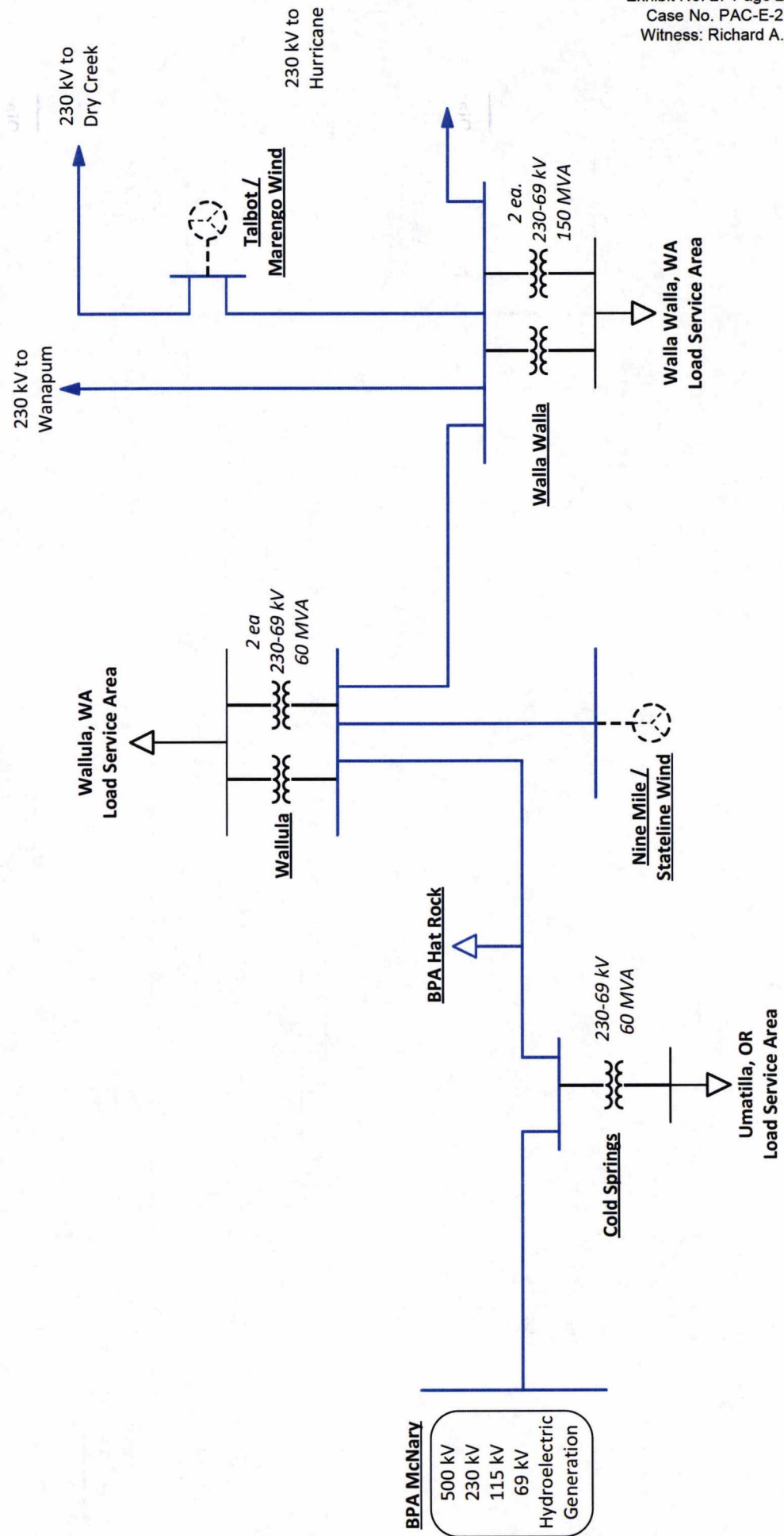
May 2021

Wallula to McNary 230 KV New Transmission Line Project Area



**Walla-McNary #2 Project
Pre-Project**

Note: Dashes Indicate Non-PacificCorp Facilities



BPA McNary
500 kV
230 kV
115 kV
69 kV
Hydroelectric
Generation

Walla-McNary #2 Project Diagram Post-Project

Note: Dashes Indicate Non-PacificCorp Facilities

